

VITAFLOW 1802-10"LPK

EDUCTOR

6" x 8" x 10"

General Operating Range

| | |
|-------------------|----------------|
| Suction Capacity: | 550 – 1500 GPM |
| Inlet Pressure: | 100 – 175 PSI |
| Inlet Quantity: | 500 – 1100 GPM |
| Suction Lift: | up to 20 FEET |
| Discharge Head: | up to 100 FEET |

Materials of Construction

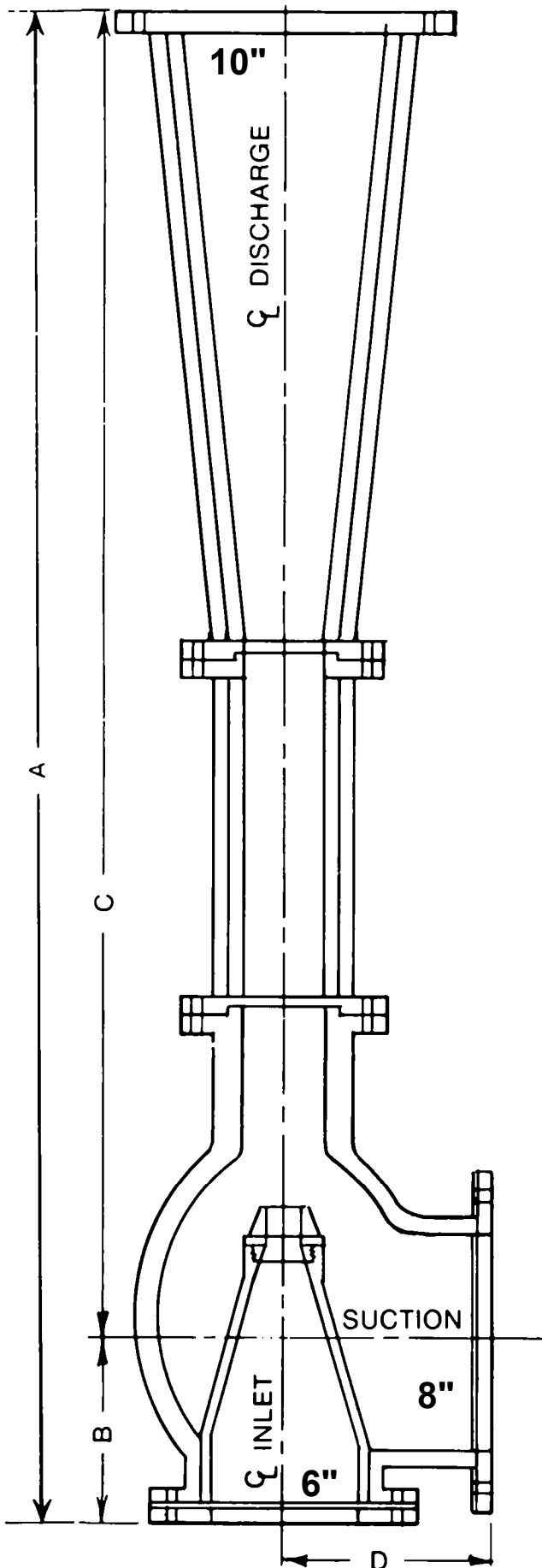
Body & Diffuser: Bronze ASTM B62
 Nozzle: Monel

All Flanges 150 LB ANSI B16.24 FLAT FACE

| | <u>Inlet</u> | <u>Suct.</u> | <u>Disch.</u> |
|------------------|--------------|--------------|---------------|
| <u>O.D.</u> | 11" | 13½" | 16" |
| <u>I.D.</u> | 6" | 8" | 10" |
| <u>Thick</u> | .812" | .937" | 1" |
| <u># Holes</u> | 8" | 8" | 12" |
| <u>B.C.</u> | 9½" | 11¾" | 14¼" |
| <u>Hole Dia.</u> | .875" | .875" | 1" |

Dimensions inches (shown for 150 LB flanges)

| Inlet | Suct | Disch | A | B | C | D | Weight. |
|-------|------|-------|--------|----|--------|----|---------|
| 6" | 8" | 10" | 58.625 | 7" | 51.625 | 8" | 360 lbs |



VITAFLOW, LLC,
 576 N. Birdneck Rd, Unit 142,
 Virginia Beach, VA 23451,
 Michael Hume, COO,
 Ph: 904/316-5774,
mhume@vitaflow.com