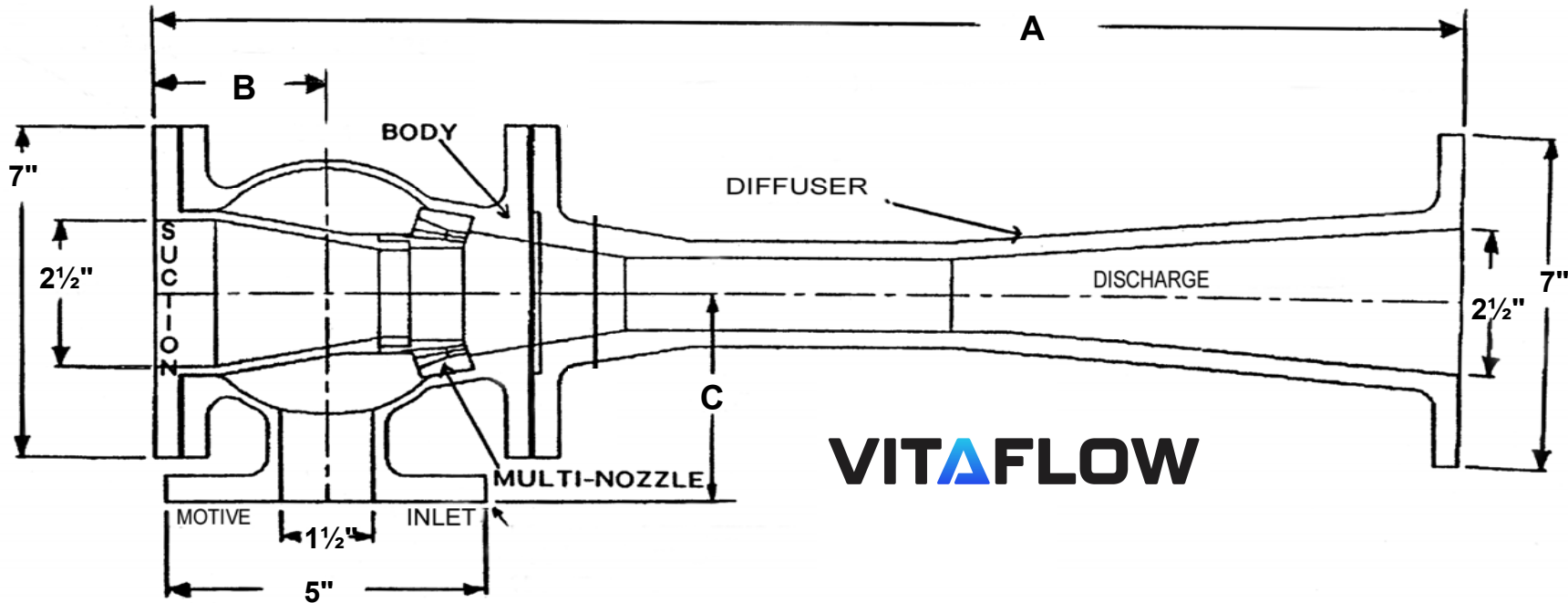


# V.F. 925-2 1/2" Bronze Bilgemate Eductor

**Standard Commercial 1 1/2" x 2 1/2" x 2 1/2"**



## Materials

Body & Diffuser	Bronze ASTM B62
Nozzle	Monel or 316 SS
Gaskets	Neoprene
Fasteners	316 Stainless Steel

## Specifications

Suction Capacity	Up to 100 GPM
Discharge Head	Up to 70 FEET
Suction Lift	Up to -20 FEET
Inlet Pressure	75-150 PSI
Inlet Quantity	Up to 100 GPM

## Dimensions

A	15.875"
B	3.375"
C	5.125"
Weight	55 lbs

## Flanges

Inlet	1 1/2"
Suction	2 1/2"
Discharge	2 1/2"

## Flange Dimensions 150 LB ANSI B16.24 Flat Face

	<u>INLET</u>	<u>Suction</u>	<u>Discharge</u>
<u>I.D.</u>	1 1/2"	2 1/2"	2 1/2"
<u>O.D.</u>	5"	7"	7"
<u># HOLES</u>	4	4	4
<u>HOLE Ø.</u>	5/8"	3/4"	3/4"
<u>B.C.</u>	3 7/8"	5 1/2"	5 1/2"

## Notes:

1. For long inlet lines, use 2 1/2" pipe reducing at eductor to 1 1/2"
2. Allow 3' to 4" 'of straight pipe on discharge.
3. All bend on discharge shall be 45° or shall have a radius of 2 1/2 to 3 times diam. of pipe.
4. Eductor supplied to fit application requirements
5. Eductor is hydro tested at 175 PSI for 20 minutes.