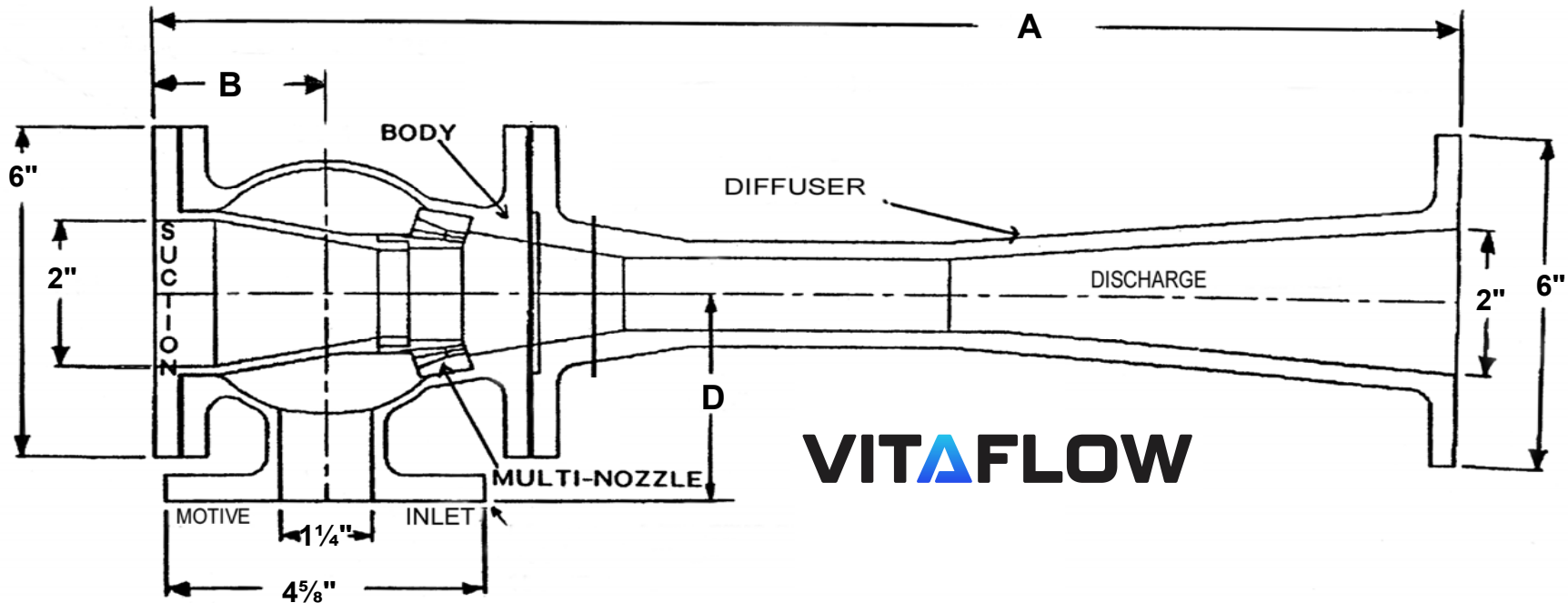


V.F. # 925-2" Bronze Bilgemate Eductor

Standard Commercial 1 1/4" x 2" x 2"



VITAFLOW

Materials

<u>Body & Diffuser</u>	Bronze ASTM B62
<u>Nozzle</u>	Monel or 316 SS
<u>Fasteners</u>	316 Stainless
<u>Gaskets</u>	Neoprene

Specifications

<u>Suction Capacity</u>	Up to 80 GPM
<u>Discharge Head</u>	Up to 60 Feet
<u>Suction Lift</u>	Up to -20 Feet
<u>Drive Pressure</u>	Up to 150 PSI
<u>Drive Flow</u>	Up to 200 GPM

Flange

<u>I.D.</u>	1 1/4"
<u>O.D.</u>	4 5/8"
<u># Holes</u>	4
<u>Hole Ø</u>	5/8"
<u>B.C.</u>	3 1/2"

Inlet

<u>I.D.</u>	1 1/4"
<u>O.D.</u>	4 5/8"
<u># Holes</u>	4
<u>Hole Ø</u>	5/8"
<u>B.C.</u>	3 1/2"

Suction & Disch.

<u>I.D.</u>	2"
<u>O.D.</u>	6"
<u># Holes</u>	4
<u>Hole Ø</u>	3/4"
<u>B.C.</u>	4 3/4"

Notes:

1. For long inlet lines, use 2" pipe reducing at eductor to 1 1/4"
2. Allow 3' to 4' of straight pipe on discharge
3. All bends on discharge shall be 45° or shall have a Radius of 2 1/2 to 3 times diameter of the pipe.

DIMENSIONS

"A"	15.875"
"B"	3.375"
"D"	5.125"

WEIGHT 55 LBS

Flanges

Inlet
Suction
Discharge

150 lb ANSI

1 1/4" Flange
2" Flange
2" Flange