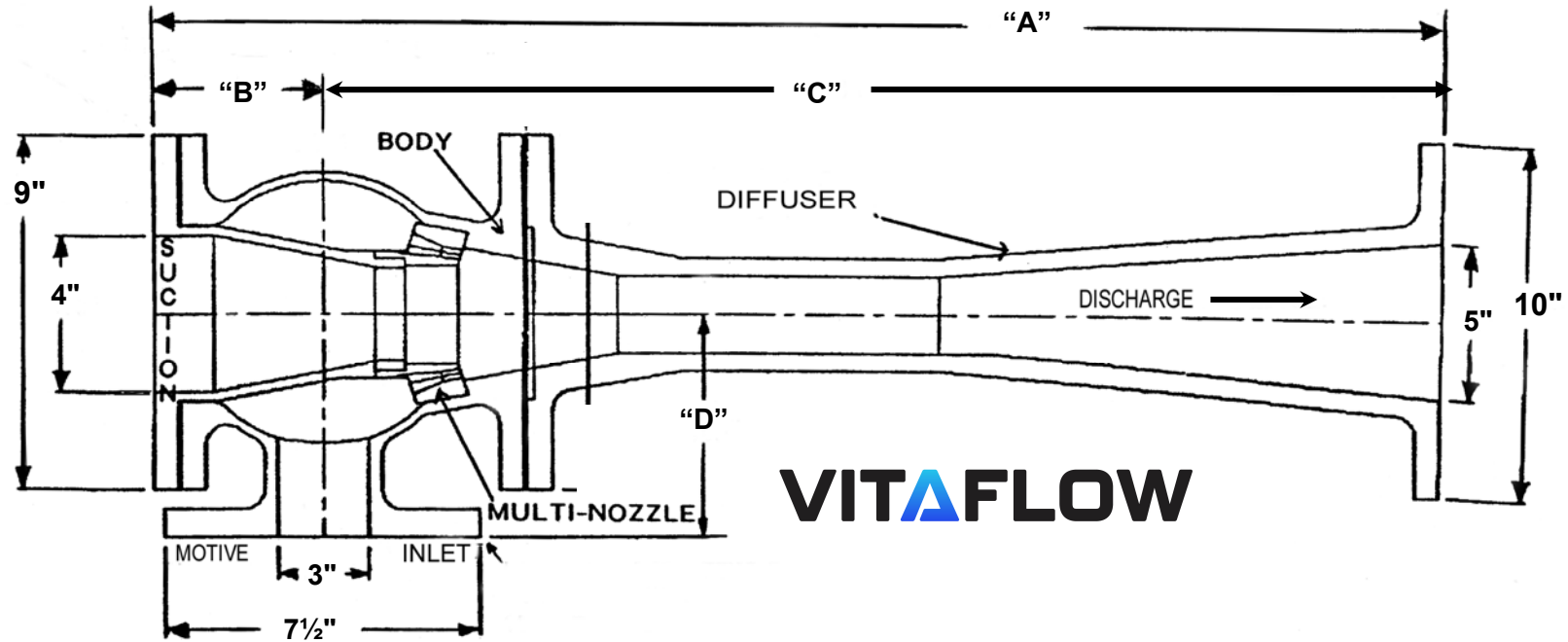


V.F. # 975-5 BRONZE BILGEMATE PERIPHERAL – JET EDUCTOR

STANDARD COMMERCIAL MODEL

3" x 4" x 5"



VITAFLOW

Materials of Construction:

Body & Diffuser – Bronze ASTM B62
 Multi-Nozzle Monel
 Fastener 316 Stainless Steel

General Specifications

Suction Lift Up to 20 Feet (-6 Meters)
 Discharge Head Up to 90 Feet (27 Meters)
 Inlet Pressure 50 - 150 PSI (4 - 10 Bar)
 Inlet Quantity 150 - 450 GPM (34 - 102 M3/H)
 Suction Capacity Up to 450 GPM (103 M3/H)

Flanges 150 lb ANSI B16.24 Flat Face

	<u>O.D.</u>	<u>I.D.</u>	<u>THICK</u>	<u># HOLES</u>	<u>DIAMETER</u>	<u>BOLT CIRCLE</u>
<u>INLET</u>	7 1/2"	3"	9/16"	4	3/4"	6"
<u>SUCTION</u>	9"	4"	11/16"	8	3/4"	7 1/2"
<u>DISCHARGE</u>	10"	5"	11/16"	8	7/8"	8 1/2"

Dimensions:

<u>Inlet</u>	<u>Suction.</u>	<u>Discharge</u>	<u>"A"</u>	<u>"B"</u>	<u>"C"</u>	<u>"D"</u>	<u>Weight</u>
3"	4"	5"	32"	7"	25"	5 1/4"	120 LBS