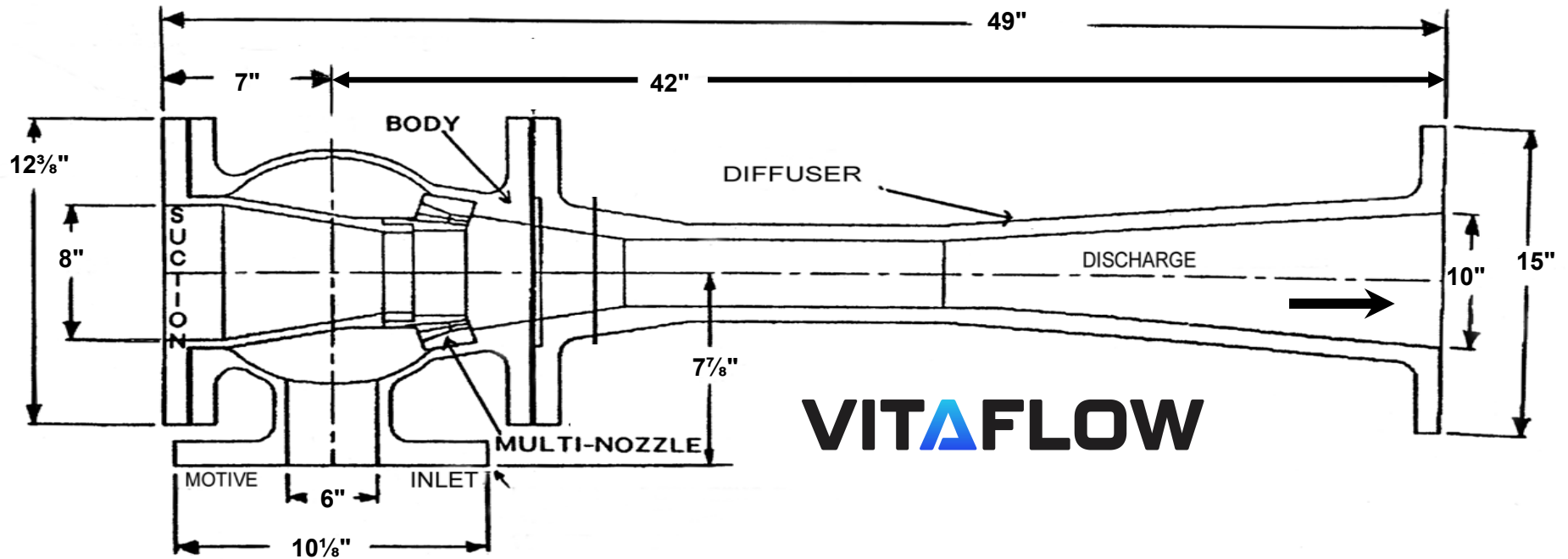


V.F. # 978 - 10" NAVY BRONZE NAVY BILGEMATE MULTI-JET EDUCTOR



V.F. # 978 - 10" NAVY MULTI-JET EDUCTOR 6" x 8" x 10"

Materials of Construction

Body & Diffuser	Bronze ASTM B61
Multi-Jet Nozzle	Monel 400
Fasteners	316 Stainless Stl.
Gaskets	Neoprene

General Data

Construction	MIL-E-24127
Flanges:	MIL-F-20042
Shock Qualification	MIL-S-901-D
Vibration Qualification	MIL-STD-167
Shock & Vibration Tested & Qualified.	

Specifications

Motive Pressure	50-175 PSI
Motive Flow	900-1600 GPM
Suction Lift	Up to -20 Feet
Discharge Head	Up to 100 Feet
Suction Capacity	Up to 1850 GPM

Flanges

Inlet	Suction	Discharge
I.D.	6"	8"
O.D.	10 1/8"	12 3/8"
THICK	1.187"	1.312"
# Holes	12	14
Hole Ø	.687"	.687"
B.C.	8.875"	11.062"

Application Data

Main Drainage Eductor
LPD-17 Class Vessels

250 lb Navy Flanges {also available Flanged 150 lb}

VITAFLOW, LLC, 576 N. Birdneck Rd, Unit 142, Virginia Beach, VA 23451, Michael Hume, COO, Ph: 904/316-5774, mhume@vitaflow.com