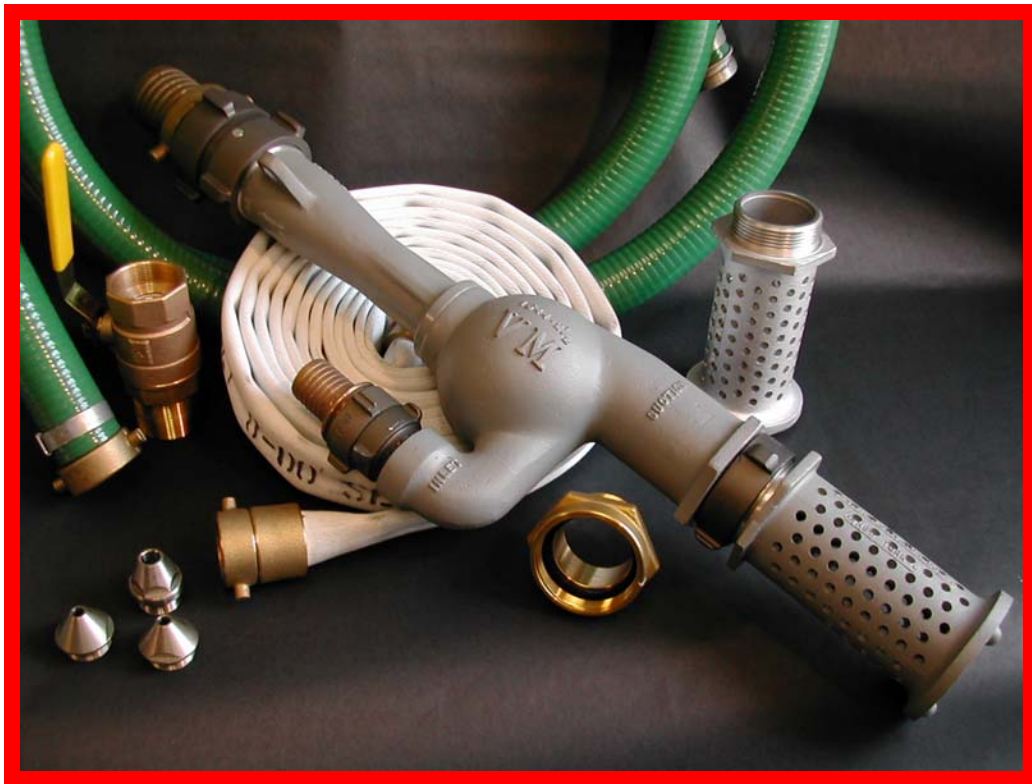


# VITAFLOW

## Tyger Drafting Eductors

*Pump it dry*

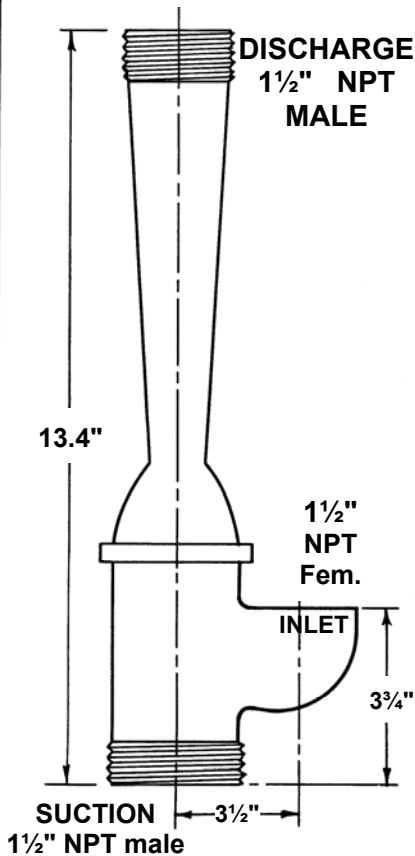


**DRAFT USING SOFT HOSE!**

# Tyger 1½" Drafting Eductor

**Pump it dry**

**VITAFLOW**



**Materials:** Body & Diffuser: Aluminum\*\*  
Nozzle: Bronze

**Connections:** All 1½" NPT

**Operation**

Suction Capacity Up to 40 GPM  
Suction Lift Up to 23 Feet  
Discharge Head Up to 100 Feet  
Motive Pressure 75 – 150 PSI  
Motive Quantity Up to 50 GPM  
Weight 2 Lbs



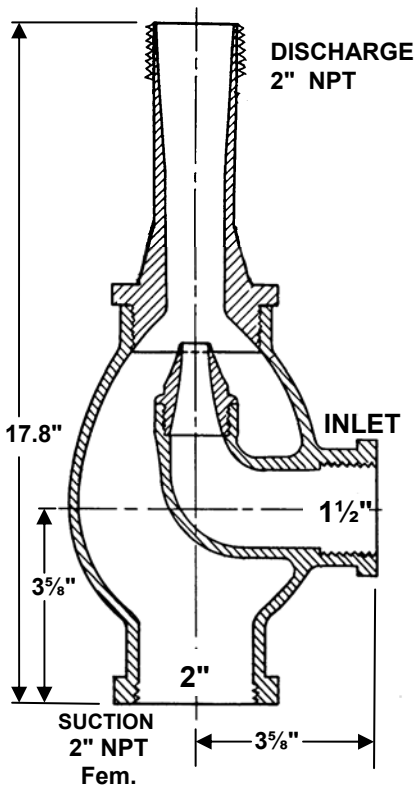
**Suggested Uses**

1. Wild land Structure Protection
2. Drafting water from remote water supplies
3. Dewatering basements, boats, tanks, etc.
4. Refilling Strike team
5. Pumping water out of holds during firefighting operations.
6. Regular or emergency pumping of liquids from pits, etc

# Tyger 2" Drafting Eductor

**Pump it dry**

**VITAFLOW**



**Materials:** Body & Diffuser: Aluminum\*\*  
Nozzle: Bronze

**Connections:** Inlet: 1½" NPT  
Suction: 2" NPT  
Discharge: 2" NPT

**Operation**

Suction Capacity Up to 50 GPM  
Suction Lift Up to 23 Feet  
Discharge Head Up to 140 Feet  
Motive Pressure 100-200 PSI  
Motive Quantity Up to 40 GPM  
Weight 7½ Lbs



**Suggested Uses**

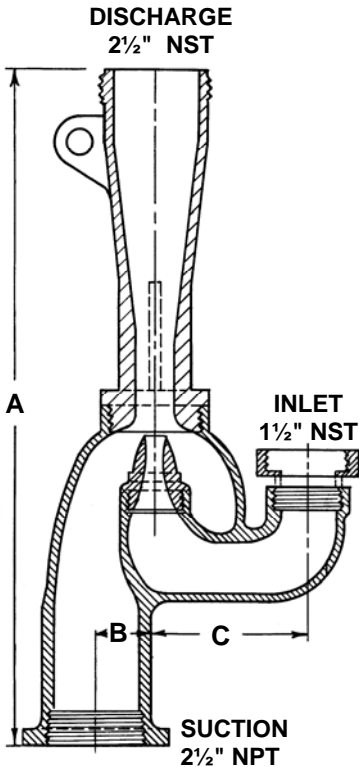
1. Wild land Structure Protection
2. Drafting water from remote water supplies
3. Dewatering basements, boats, tanks, etc.
4. Refilling Strike team
5. Pumping water out of holds during firefighting operations.
6. Regular or emergency pumping of liquids from pits, etc

# Tyger 2½"

# Drafting Eductor

**Pump it dry**

**VITAFLOW**



**Materials:** Body & Diffuser: Aluminum\*\*  
Nozzle: Monel

**Connections:** Inlet 1½" NST  
Suction 2½" NPT  
Discharge 2½" NST

**Operation**  
Suction Capacity Up to 100 GPM  
Suction Lift Up to 20 Feet  
Discharge Head Up to 80 Feet  
Motive Pressure 100 – 150 PSI  
Motive Quantity Up to 120 GPM  
Weight 8 Lbs



**Suggested Uses**

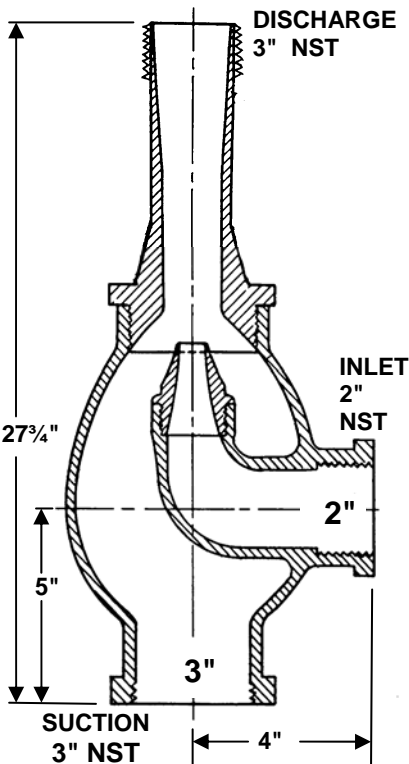
1. Wild land Structure Protection
2. Drafting water from remote water supplies
3. Dewatering basements, boats, tanks, etc.
4. Refilling Strike team
5. Pumping water out of holds during firefighting operations.
6. Regular or emergency pumping of liquids from pits, etc

# Tyger 3"

# Drafting Eductor

**Pump it dry**

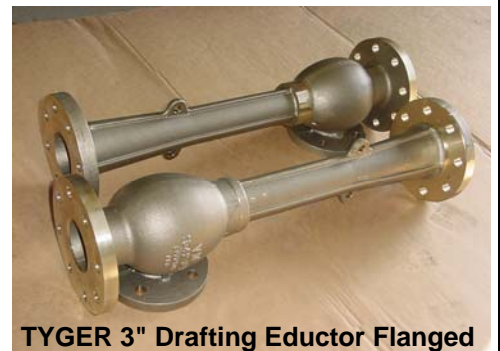
**VITAFLOW**



**Materials:** Body & Diffuser: Aluminum\*\*  
Nozzle: Monel

**Connections:** Inlet: 2" NST  
Suction: 3" NST  
Discharge: 3" NST

**Operation**  
Suction Capacity Up to 270 GPM  
Suction Lift Up to 23 Feet  
Discharge Head Up to 80 Feet  
Motive Pressure 100-200 PSI  
Motive Quantity Up to 275 GPM  
Weight 24 Lbs



TYGER 3" Drafting Eductor Flanged

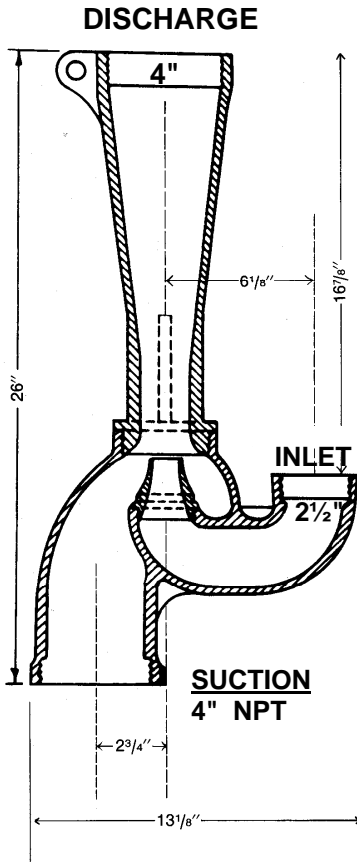
**Suggested Uses**

1. Wild land Structure Protection
2. Drafting water from remote water supplies
3. Dewatering basements, boats, tanks, etc.
4. Refilling Strike team
5. Pumping water out of holds during firefighting operations.
6. Regular or emergency pumping of liquids from pits, etc

# Tyger 4"

# Drafting Eductor

***Pump it dry***



## MATERIALS

Body & Diffuser: Aluminum  
Nozzle: 316 Stainless

## GENERAL DATA

Suction Capacity: 175 – 350 GPM  
Suction Lift: Up to 20 Feet  
Discharge Head: Up to 80 Feet  
Inlet Pressure: 50 – 150 PSI  
Weight: 20 Lbs

## CONNECTIONS:

Inlet 2 1/2 NPT Female  
Suction 4" NPT Female  
Discharge 4" NPT Female

## Suggested Uses

1. Wild land Structure Protection
2. Drafting water from remote water supply
3. Dewatering basements, boats, tanks, etc.
4. Refilling Strike teams
5. Keeping bottoms dry during tank or hold washing operations
6. Pumping water out of holds during firefighting operations.
7. Regular or emergency pumping of liquids from, cargo spaces, pits, etc.



# VF Tyger Drafting Eductors

***Pump it dry***

- DRAFT USING SOFT HOSE
- Draft from remote water supplies
- Eductors are lowered into water or can be used with suction hose.
- Drain water from basements, sumps, pits, tanks and boats.
- No Moving Parts- nothing to break or wear out.
- Optional Items:
  1. Barrel Suction Strainers / Lay Flat Suction Strainers
  2. Sizes up to 6" available
  3. Adapters for any thread style
  4. Powder coating in any color
  5. Non Return Check valve can be fitted.
  6. Eductors available in Aluminum or Bronze
  7. Aluminum Eductors are anodized and powder coated.

**VITAFLOW**