

VITAFLOW V.F. 1554-4" Portable Eductor

GENERAL CHARACTERISTICS

- Suction Capacity: 175 – 350 GPM
- Suction Lift: Up to 20 Feet
- Discharge Head: Up to 80 Feet
- Inlet Pressure: 50 – 150 PSI
- Weight: 60 Lbs

MATERIALS OF CONSTRUCTION

- Body & Diffuser: Bronze or Aluminum**
 **hard coat anodized & powder coated
- Nozzle: Monel

CONNECTIONS:

- Inlet 2½" NPT Female
- Suction 4" NPT Female
- Discharge 4" NPT Female

Suggested Uses – Marine Departments

1. Keeping bottoms dry during tank or hold washing operations
2. Pumping water out of holds during firefighting operations.
3. Regular or emergency pumping of liquids from ballast, bilge, cargo spaces, pits, etc.

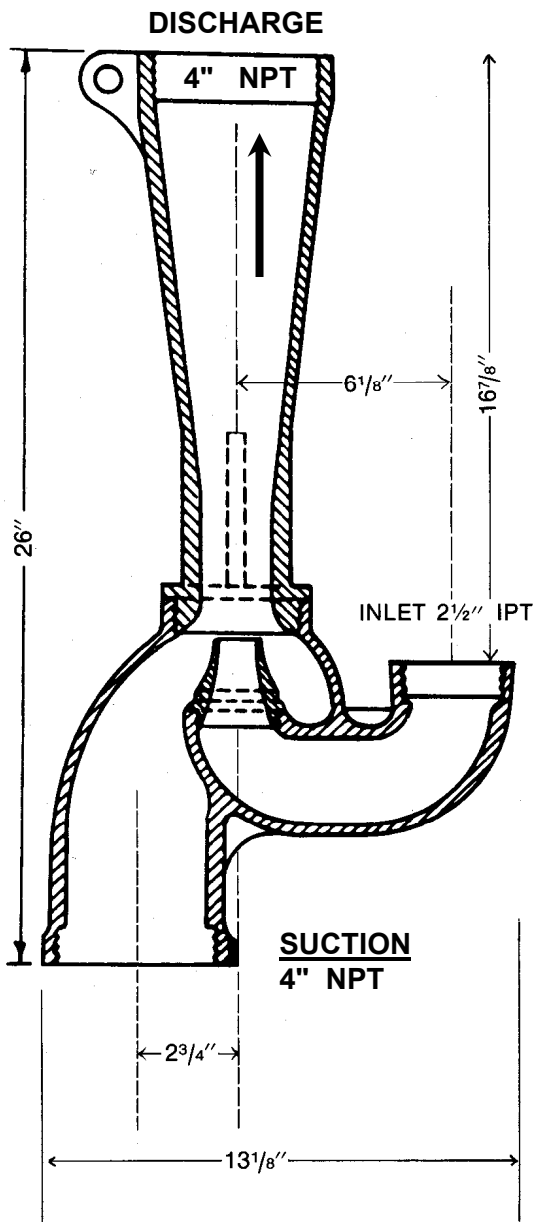
This model is generally used as a portable eductor and has the ability to fit through small openings but still handles large volumes of liquids. This type also lends itself to permanent installations in tight spaces.

Note:

When suction lift does not exceed 20' a length of suction hose can be attached to the suction end and only the hose is put into the space or liquid to be pumped

OPTIONAL / SPARE ITEMS

1. Eductor available in bronze & aluminum
2. Optional Lay Flat suction strainer
3. Optional Barrel Suction Strainer
4. Swivel NST Adapter fittings



Suction Capacity		Motive Pressure		Motive flow		Suction Lift		Discharge Head	
GPM	(M3/Hr)	PSI	(BAR)	GPM	(M3/Hr)	FEET	(Meters)	FEET	(meters)
175-350	(40 - 80)	50-150	(3-10)	140-220	(32-50)	0-20	(0-6)	20-60	(6-18)

INLET		Suction & Disch		A		B		C		D		E	
Inch	(mm)	Inch	(mm)	Inch	(mm)	Inch	(mm)	Inch	(mm)	Inch	(mm)	Inch	(mm)
2½"	(65)	4"	(100)	26"	(660)	2½"	(70)	13.12"	(333)	16.87"	(429)	6.12"	(155)

PUMP IT DRY with VF EDUCTORS & EJECTORS

VITAFLOW, LLC, 576 N. Birdneck Rd, Unit 142, Virginia Beach, VA 23451, Michael Hume, COO, Ph: 904/316-5774, mhume@vitaflow.com



V.F. # 1554-4 "
2.5" X 4" X 4"

PORTABLE EDUCTOR WITH BARREL TYPE STRAINER