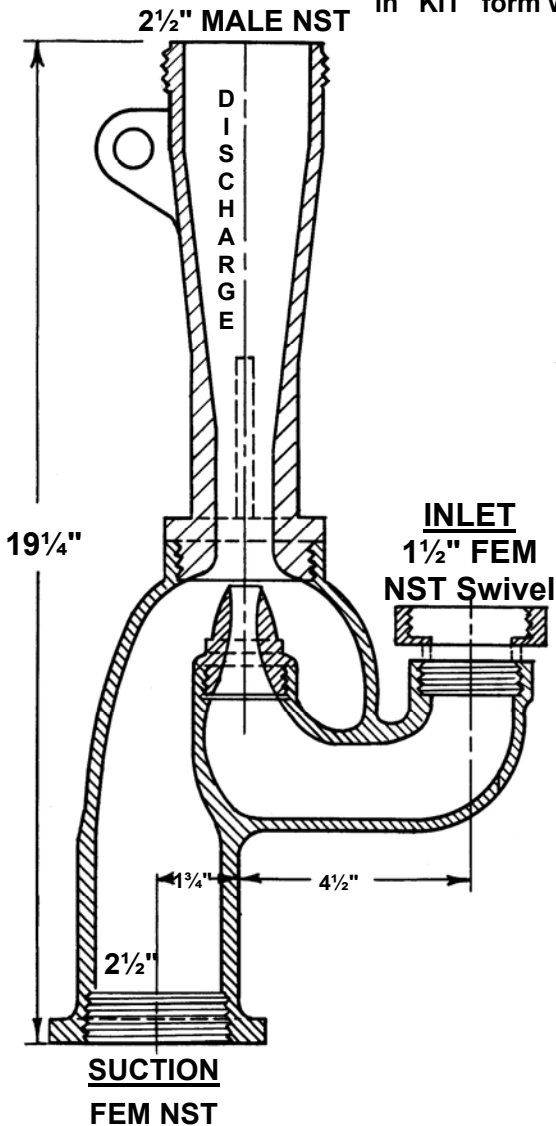


VF 1544-2½" TYGER DRAFT - PORTABLE DRAFTING EDUCTOR

VITAFLOW

The V.F. # 1544-2½" TYGER Portable Water Eductor will provide a water supply in the absence of functioning fire hydrants. This is accomplished by drafting water from swimming pools, lakes, streams, reservoirs, and other alternate water sources. The Eductor appliance may be utilized where the distance from a water source makes it impractical to draft with hard suction hose. The secondary purpose for the eductor is dewatering basements, boats, tanks etc.

VF TYGER Portable Water Eductors are available as stand alone eductors, as well as in "KIT" form which include Inlet, Suction & Discharge Hoses.



GENERAL CHARACTERISTICS

Suction Capacities	80 - 120 GPM
Suction Lift	Up to 20 Feet
Discharge Head	20 - 70 Feet
Inlet Pressure	50 - 150 PSI
Material	Body - Aluminum (hard coat anodized & powder coated.) Nozzle- 316 Stainless Steel
Weight	12 lbs w/ Strainer / 9 lbs w/o strainer

Suggested Uses:

1. Wild land structure protection
2. Drafting water from remote water supply
3. Dewatering Basements, boats, tanks, etc
4. Refilling strike team.
5. Use to pump water out of holds during fire fighting operations.

Standard Fire Department Model Includes:

- Aluminum Anodized Eductor # 1544
- Aluminum Suction Strainer
- Eductor is hard coat anodized & powder coated
- Flapper Type Non-return Check Valve
- Inlet Coupling - 1½" Female. NST
- Discharge Coupling - 2½" Female. NST

Partial List of users

- L.A. County fire
- L.A. City Fire
- El Segundo Fire
- Montebello Fire
- Sante Fe Springs Fire
- Maui Fire
- FDNY Marine
- Beverly Hills Fire
- Torrance City fire
- Glendale Fire
- Manhattan Beach
- S. Pasadena Fire
- Miami Fire

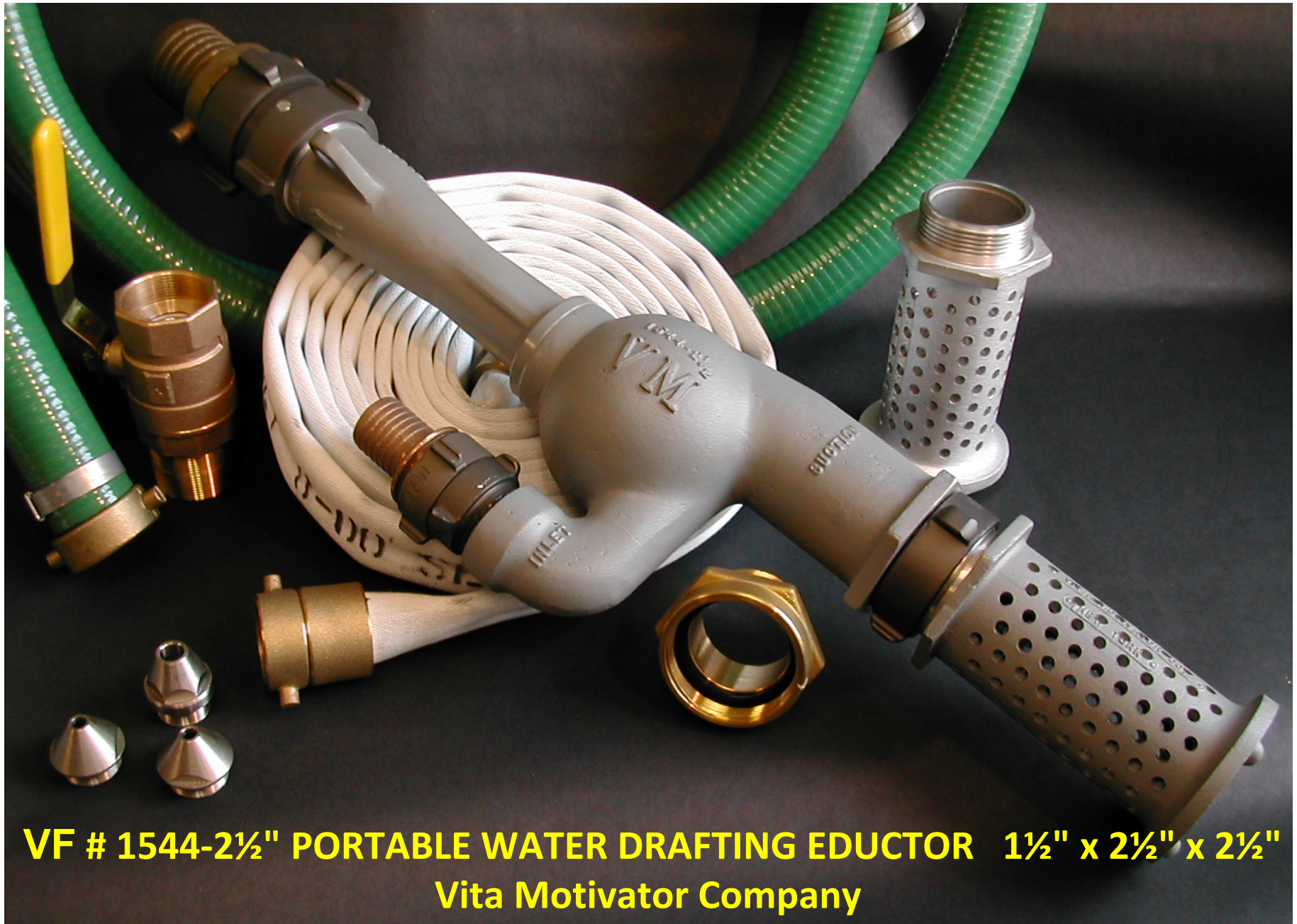
Note # 1 1544-2½" Eductor is available in Bronze for marine applications.

Note # 2: Specify if order the TYGER EDUCTOR only or the TYGER EDUCTOR KIT.



VITAFLOW

Pump it Dry with VITAFLOW Eductors



VF # 1544-2½" PORTABLE WATER DRAFTING EDUCTOR 1½" x 2½" x 2½"
Vita Motivator Company