

VF 300-1½"L TYGER DRAFT Portable Drafting Educator

The V.F. # 300-1½"L TYGER Portable Water Educator will provide a water supply in the absence of functioning fire hydrants. This is accomplished by drafting water from swimming pools, lakes, streams, reservoirs, and other alternate water sources. The Educator appliance may be utilized where the distance from a water source makes it impractical to draft with hard suction hose. The secondary purpose for the educator is dewatering basements, boats, tanks etc.

VF TYGER Portable Water Educators are available as stand-alone educators, as well as in "KIT" form which include Inlet, Suction & Discharge Hoses.

Materials of Construction:

Body & Diffuser: Aluminum**

Nozzle: 316 Stainless Steel

**Note: 356-T6 Aluminum castings are hard coat anodized & powder coated.

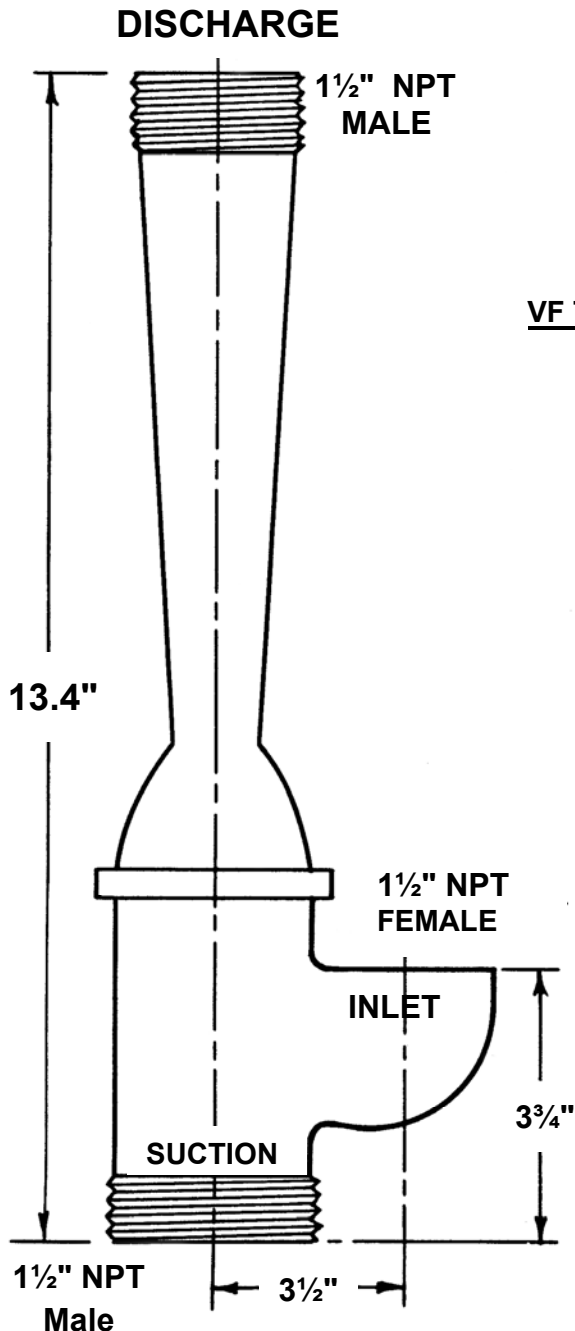
Connections:

All 1½" NPT Threaded Connections

General Characteristics

Suction Capacity	Up to 40 GPM
Suction Lift	Up to 23 Feet
Discharge Head	Up to 100 Feet
Motive Pressure	75 – 150 PSI
Motive Quantity	Up to 50 GPM
Weight	2 Lbs

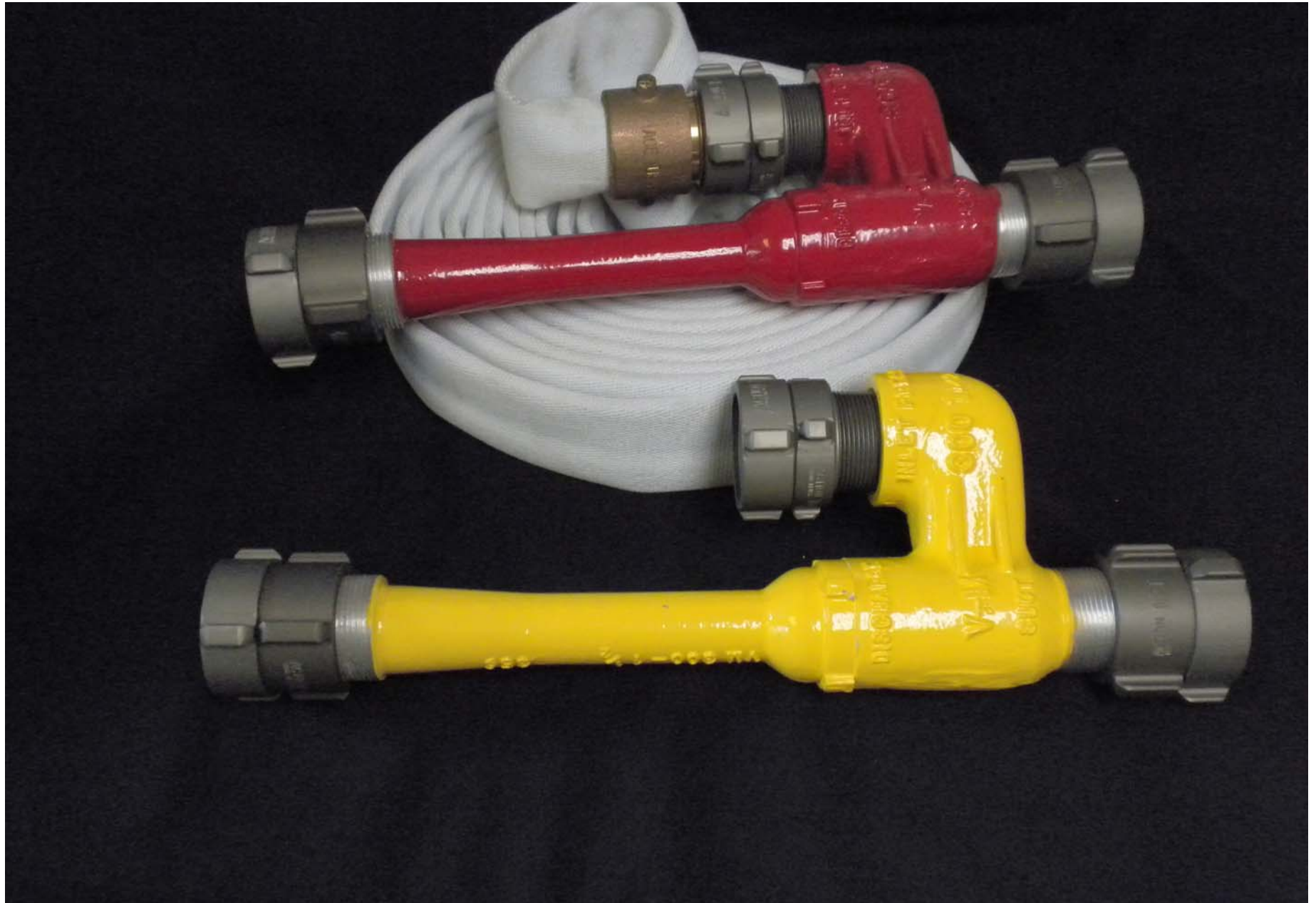
VITAFLOW



Optional / Spare Items

- Optional Barrel Suction Strainer
- Non-Return Check Valve
- On-Off Ball Valve for Pressure shut-off
- Optional Spare Nozzle
- Educator is available in Bronze & 316 Stainless
- Educator can be supplied with NST threaded ends.





VF # 300-1½" L PORTABLE WATER DRAFTING EDUCTOR



VF # 300-1 1/2" L PORTABLE WATER DRAFTING EDUCTOR