

# VF # 1544-2½" TYGER Portable Eductor Kit

The V.F. # 1544 - 2½" TYGER Portable Eductor is used on board tankers, oil rigs, and vessels of all types. This Model is used on product tankers, bulk carriers, Navy & Coast Guard Vessels. It serves as an emergency pump that is Always ready for action, as long as driving liquid under pressure is available. The portable ejector is used to remove liquids from tanks, sumps, pits, and cargo and ballast spaces. This small eductor allows access to inaccessible spaces. Suggested uses include:

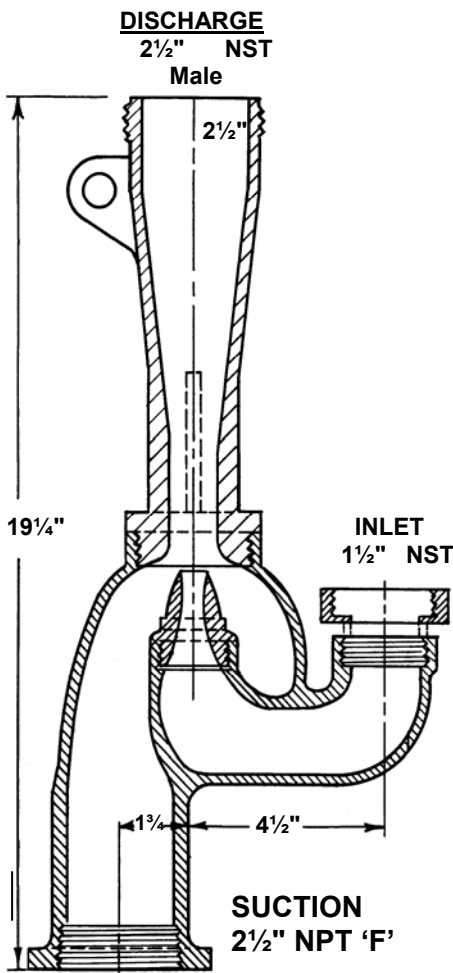
**VITAFLOW**

1. Keeping tank bottoms dry during tank or hold washing operations
2. Pumping water out of holds during firefighting operations
3. Regular or emergency pumping of liquids from ballast, bilge or cargo spaces
4. Powered by water pressure or the same liquid as suction fluid

This model can be lowered directly into the suction fluid. Or a length of suction hose can be attached. This model is available with an optional non-return valve and optional strainer. It can be furnished with hose barb couplings, BSP or NPT or JIS threads, Storz adapters or cam-lock quick coupling. The TYGER Eductor kit is complete with inlet, suction and discharge hoses and couplings.

## TYGER Portable Eductor Kit – includes...

- 1 pc VF # 1544-2½" Bronze Eductor with Monel Nozzle
- 1 pc VF INLET HOSE – Fire “Motive Pressure” Hose, 75' (23Mtr) x 1½" with brass (NH) couplings to attach to eductor inlet
- 1 pc VF SUCTION HOSE - Non-Collapsible PVC Full Vacuum Hose, 20' ( 6 Mtr. ) x 2" with brass coupling for eductor suction.
- 1 pc VF DISCHARGE HOSE – Mill-Type water discharge hose, Lay Flat type 75' (23 M) x 2½" with Brass coupling to attach to eductor discharge.
- 1 pc VF SPARE MONEL NOZZLE/ ON-OFF BALL VALVE / STRAINER



Flow Data	Suction Capacity	Suction Lift	Discharge Head	Motive Pressure	Motive Flow
	Up to 120 GPM Up to 28 M3/H	Up to -20 Feet Up to -6 Meters	Up to 80 Feet Up to 25 Meters	50 -150 PSI 4 – 10 Bar	80 -120 GPM 20-28 M3/H

Materials of Construction	ITEM DESCRIPTION	Standard	OPTIONAL
	BODY & DIFFUSER	Bronze	Aluminum, Ni-Alum, 316 Stainless
	Nozzle	Monel	316 Stainless Steel,
	Non-Return Valve	-----	Bronze, 316 Stainless Steel
	Strainer	-----	Bronze, 316 Stainless Steel

Connections	DESCRIPTION	STANDARD EDUCTOR	Optional Connections
	INLET	1½" NST Female Thread	BSP threads, Hose barb, cam-lock
	SUCTION	2½" NPT Female Thread	BSP threads, Hose barb, cam-lock
	DISCHARGE	2½" NST Male Thread	BSP threads, Hose barb, cam-lock